

CATALOGUE

D A T A
REMOTE OPERATOR



AuCom

REMOTE OPERATOR

The Remote Operator (RCM01) is a user-friendly human interface for the remote operation and monitoring of AuCom soft starters. Features include :

Operational Control Push Buttons

- Start
- Stop
- Reset
- Emergency Stop

Status Indication LEDs

- Starting
- Running
- Tripped

Motor Performance Readout

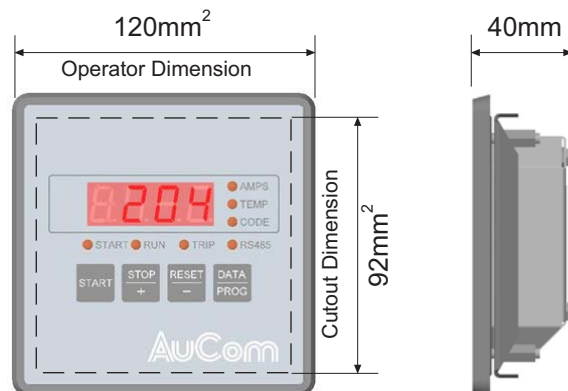
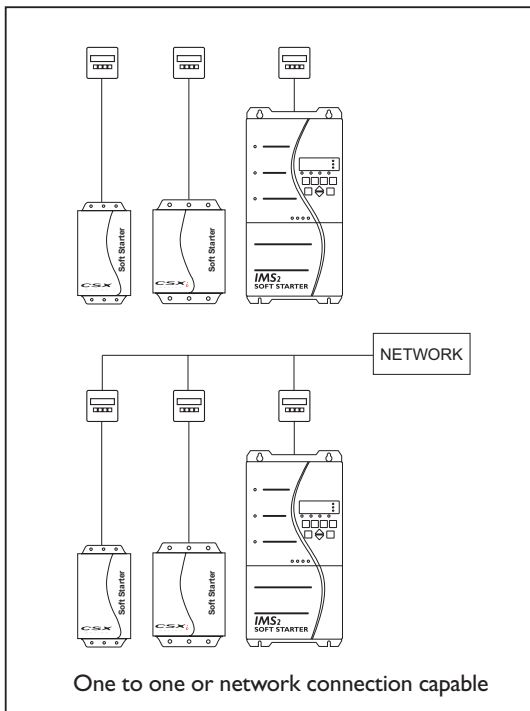
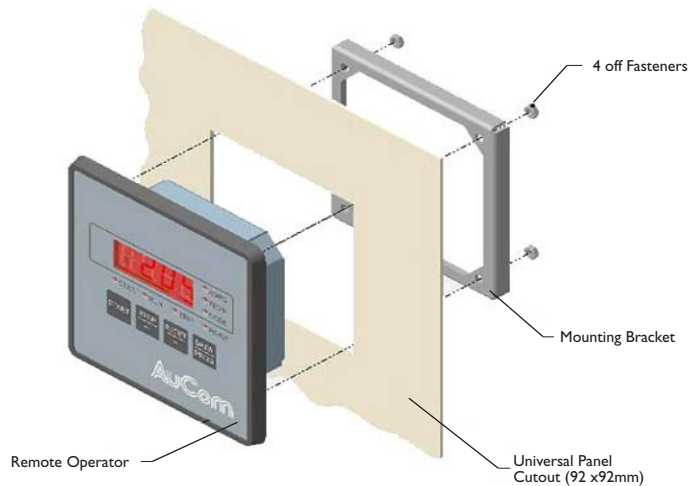
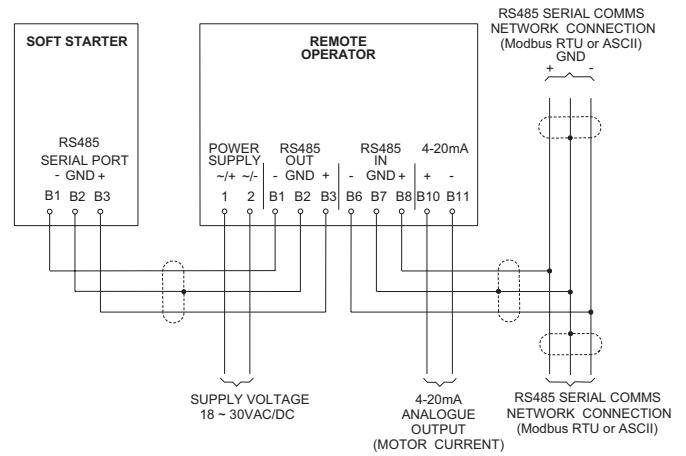
- Motor Current
- Motor Temperature
- Trip Code

Analogue Output (4-20mA)

- Motor Current

Sundry Features

- IP54 front protection when mounted
- Easily read 15mm LED display
- Universal 92mm² panel cutout
- Simple 3 step installation procedure
- Compact design
- RS485 serial activity LED indication
- CE, UL, C-UL and C✓ approved



AuCom Electronics Ltd
 123 Wrights Road, P O Box 21-245,
 Christchurch, New Zealand.
 Phone: +64 3 338-8280 Fax: +64 3 338-8104
 Internet: <http://www.aucom.com>

